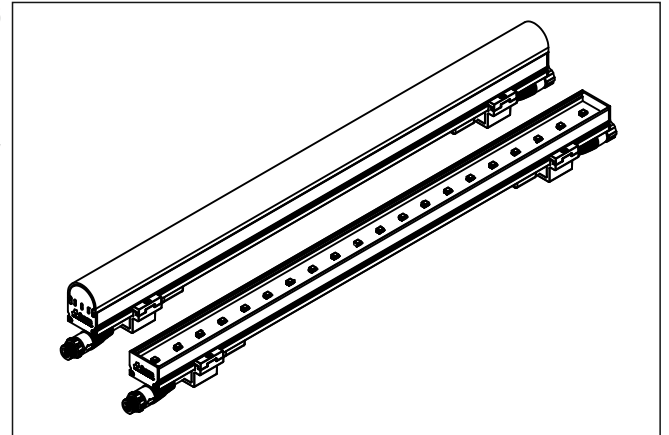


Explanation

Sword® 100x4 Series consist of four models such as 30-50-100-150cm. 30cm 3 pixel 9 Channel, 50cm 5 Pixel 15 Channel, 100cm 10 Pixel 30 Channel, 150cm 15 Pixel 45 Channel. Pixel pitch is 100 mm. Each pixel consists of 4 led. It has options such as direct view or opaque cover with special polycarbonate alloy. It is in IP67 protection class. It offers customizable solutions pixel mapping with DMX 512 protocol. It can be addressed in batch with RDM Protocol. It has been designed to be used in the facade, building and stage illumination. It operates with 48V tension and applicable without voltage loss. Product assembly apparatus is made from aluminum injection. It operates under challenging weather conditions. It has high vibration resistance. It is easily demountable. It can be connected with IP68 screwed type connectors.

- Flexible applicability with 30-50-100-150cm sizes
- Direct viewing or opaque cover with special polycarbonate alloy
- Addressing with Remote Device Management Protocol
- Perfect viewing without pixel gap or shade in the connection points
- Safe use in interior and external environment with IP67 protection



Details

Light Source:

12/20/40/60 Pcs. Nichia NSSM032A

Lifetime:

50.000 Hours

Input:

48VDC

4-Pin IP67 Waterproof Connector (Power + DMX)

Current Consumption:

85/125/230/335mA

Power Consumption:

4/6/12/18 Watt

Maximum in Chain:

32/32/17/11 Pcs.

Pixel Pitch:

100mm

Luminous Intensity:

Luminous intensity, calibrated mode: 30/50/100/150 cd

Total output, calibrated mode: 90/150/300/450 lm

Total output, calibrated mode: 996/1660/3320/4980 nits

*Preliminary data, figures are approximate.

Control and Programming:

DMX 512

DMX Channels:

9/15/30/45 Ch.

3/5/10/15 Pixel

DMX Address Settings:

RDM (Group of Remote Addressable Systems)

Housing:

Aluminium Extrusion Body

Screw and Mounting Accessories:

Die-Cast Aluminium Installation Equipment

304L Stainless Steel

Temperature:

Operating : -40°C - 50°C - (-40° - 122° F)

Storage : -40°C - 85°C - (-40°C - 185° F)

Dimensions (H x W x D):

45x300x30 mm (1,77x12x1,1 in) 45x500x30 mm (1,77x19x1,1 in)

45x1000x30 mm (1,77x39x1,1 in) 45x1500x30 mm (1,77x59x1,1 in)

Weight:

0,325kg (716 lb) / 0,530kg (1,16lb) / 1kg (2,2lb) / 1,5kg (3,3lb)

Certification:

EU safety: EN 60950-1, EN 60950-22

EU EMC: EN 55022, EN 55024, EN 61000-3-2, EN 61000-3-3

US safety: UL 60950-1, UL 60950-22

Ordering Information

Sword® 100x4-RGB 30cm Direct View 9Ch. 3 Pixel

P01086085

Sword® 100x4-RGB 50cm Direct View 15Ch. 5 Pixel

P01087085

Sword® 100x4-RGB 100cm Direct View 30Ch. 10 Pixel

P01088085

Sword® 100x4-RGB 150cm Direct View 45Ch. 15 Pixel

P01089085

Sword® 100x4-RGB 30cm Tube 9Ch. 3 Pixel

P01090085

Sword® 100x4-RGB 50cm Tube 15Ch. 5 Pixel

P01091085

Sword® 100x4-RGB 100cm Tube 30Ch. 10 Pixel

P01092085

Sword® 100x4-RGB 150cm Tube 45Ch. 15 Pixel

P01093085

*Standart product codes that we provided is above. Please contact us for special orders.

Technical Drawing

