



PROCOLOR[®]
single color series





All Can Be Overcome By **LIGHT**

Today, there are many fixtures available that serve a variety of purposes, and floodlights are one of them. Floodlights are great lighting fixtures that emit broad beams of light. As the name suggests, flood lights are used to flood an area with light and provides the best way to provide an enormous amount of non-natural light to a wide area.

LED floodlights are highly energy efficient and have a higher lumen per watt output than any other conventional lighting system. They are used for many purposes and allow a range of lighting techniques.

Floodlight fixtures come in all sorts of sizes. They are great to illuminate dark areas for comfort, security, show and architectural lighting purposes.

Procolor® Series is a powerful and outdoor rated floodlight with high lumen output and excellent color consistency.

Procolor® floodlights are an excellent solution for accent lighting, spot lighting, wall washing and are widely used in illuminating historical places, monuments, also smaller structures in parks and other areas.



MAKE A WORLD OF DIFFERENCE

Procolor® series shows off even the most intricate details of the architecture. It alights the architecture without disturbing any settings on the premise or the city surroundings. Procolors make a real feast of light with their strong illumination capability and various models to choose from. Series is mainly used to light up buildings, bridges, historical monuments and landscapes.



Certification

Product complies with EU Safety regulations of EN 60598-1, EN 60598-2-3, EN 62471, EN 60950-1, EN 60950-22, EN 60529, EN 62262.

Product complies with EU EMC standards of EN 55024, EN 55032, EN 61000-4-3, EN 61000-4-4, EN 61000-4-6, EN 61000-4-8.

Product complies with US Safety standards of UL 1598, UL 60950-1, UL 60950-22 and US EMC standard of FCC Part 15 Class A.

We fully trust in our products and give 5-year warranty for all our product lines, subject to conditions given in the warranty agreement.

Our Concern is Quality not Quantity

Consistent and exact colors, special effects and best light management in every possible application have become a vital part of floodlighting. Procolor series' customized and standard products will result in highly efficient and quality floodlighting.

Hera LED well knows the growing expectations of its customers when it comes to image quality, reliability, and cost. We will provide you with all you need, to illuminate, guide, reflect, and alter light for a variety of floodlighting applications.

Hera LED all in- house manufactured design for Procolor Series can be easily used in commercial and government buildings, hotels, historical monuments, museums, landscapes and many more different facade installations as requested.

Reliability in Numbers



Procolors are in IP67 - IK08 protection class and with their robust and durable structure, are designed to meet extremely difficult requirements of outdoor facade applications. Procolors are resistant to impact, vibration and other harsh conditions, with their aluminum housing and special filler materials. They have passed Verification and Reliability tests.

Our conventional fixtures stand the test of time, withstand even the harshest conditions, including dirty power, high-vibration, extreme temperatures and hazardous or volatile outdoor environments.

Facade lighting compliments the exterior. In architecture, the facade of a building is often the most important from a design standpoint, as it sets the tone for the rest of the building. With Procolors we set the most beautiful tones.

PROCOLOR[®]

single color series



In Procolor Single Color series, there is no DMX option.

Fixtures have 90-264 50./60 Hz AC input and hence can be supplied from all standard networks.

Procolor[®] Single Color series have three different product types, these are Procolor AC-SC 10, Procolor AC-SC 35 and Procolor AC-SC 60.

All product lines of this series, have Red - Green - Blue - Amber - 2700K to 6500K White options.

Floodlights combine a reliable, traditional design with cutting-edge LED technology - all to meet your specific requirements.



Procolor[®] AC 10SC Connection

Procolor[®] AC 10 Single Color series get power supply directly from the electrical distribution network.

Product is universal and complies with all



Procolor[®] AC 60 & 35 SC Connection

Procolor[®] AC 60 & 35 Single Color series get power supply directly from the electrical distribution network.

Product is universal and complies with all electrical meshworks.

Move to What Moves You



PROCOLOR®AC 10SC



RoHS
compliant



Procolor®AC 10 Single Color family is made of aluminum cast material like the other Procolor series. Aluminum both gives robustness to the product as well as having a good cooling coefficient. It absorbs the heat and dissipates it through advanced cooling channels.

Procolor®AC 10 Single Color family is resistant to cold, snow, rain, dust and sand. It can keep on working under all harsh conditions. Moisture is emitted through specially designed valves within the product. Newly designed cable fitting for Procolor®AC Single Color are IP67 class and can be relied on completely.

All Procolor®AC 10 Single Color can be adjusted and fixed to the product assembly area with 6 degree ascending angles.



PROCOLOR®AC 60SC
PROCOLOR®AC 35SC

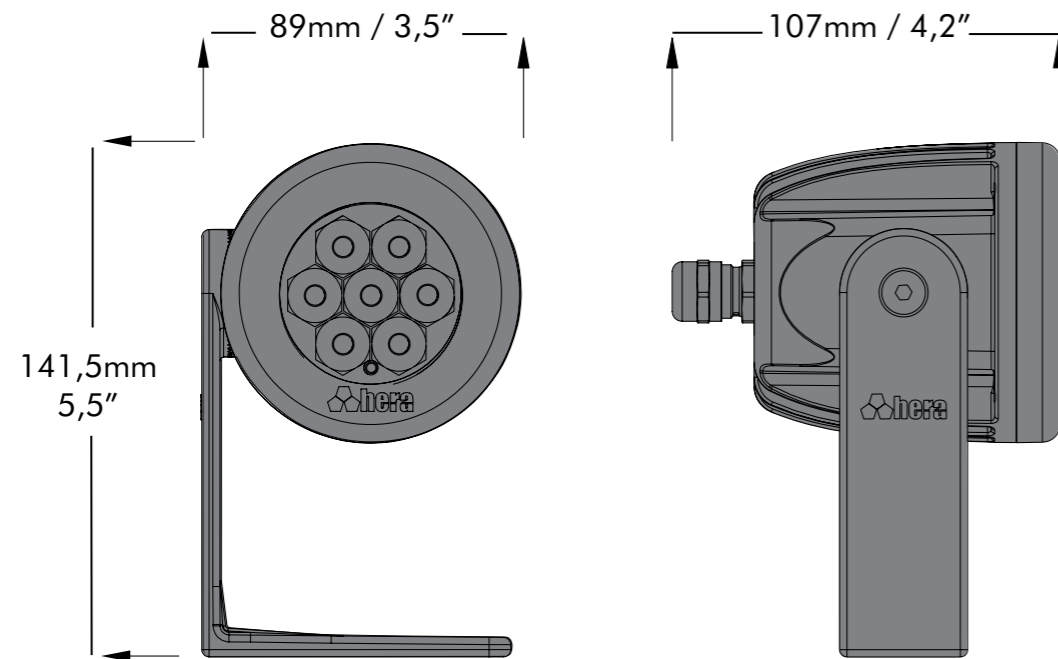


RoHS
compliant

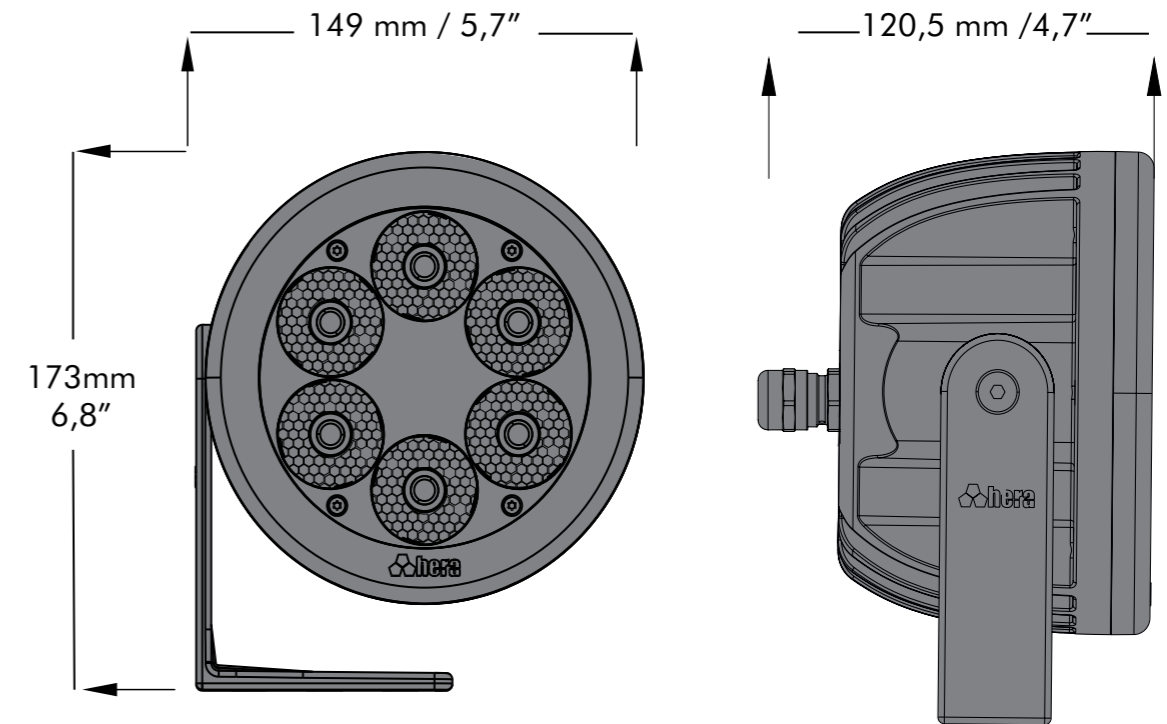


PROCOLOR[®] Family Size

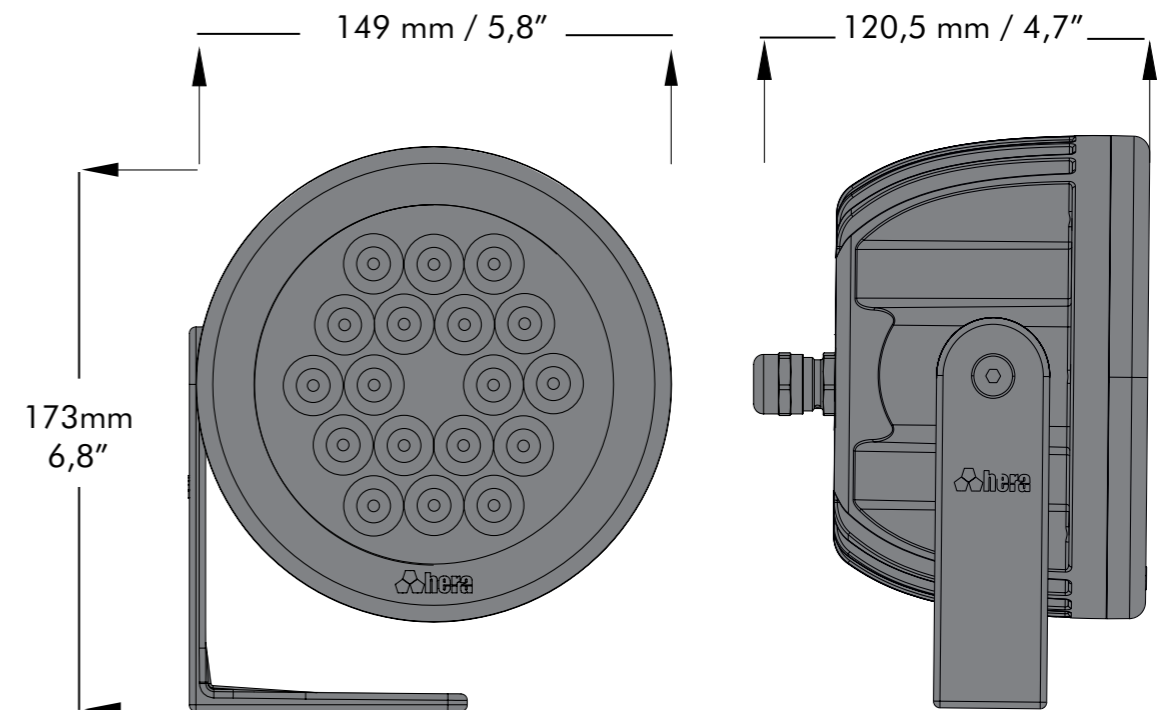
PROCOLOR[®] AC 10SC



PROCOLOR[®] AC 60SC



PROCOLOR[®] AC 35SC



Procolor® SC Series

Specification

	PROCOLOR® AC 10SC	PROCOLOR® AC 35SC	PROCOLOR® AC 60SC
Output			
Light Source:	7 High Power LEDs	18 High Power LEDs	24 High Power LEDs
Lumen Maintenance:	60.000 > hours L70 @ 50° C (full output)		
Color Range:	Red, Green, Blue, Amber, Warm White, Natural White, Cool White		
Ra(CRI):	White product 2200K-5700K > 80CRI / 6500K > 70CRI		
Beam Angle:	19° / 26° / 54°	19° / 26° / 54°	8° / 30° / 45°
Luminous Flux:	735 lm	2169 lm	1988 lm @ 2700K
Luminous Intensity:	3443 cd	20124 cd	12541cd @ 2700K
Efficacy (lm/W):	80 lm/W	94 lm/W	54 lm/W @ 2700K
*The values above are measured data in 3000K Warm White and using a Narrow Beam lens. Please see IES/LTD files and photometric measurements for different lens beam angles.			
*Photometric performance is measured in compliance with IESNA LM 79-08			
Electrical			
Operating Voltage:	90 ~ 264VAC 50/60Hz Universal AC input		
Power Consumption:	9W	23W	38W
Connections:	Wire		
Physical			
Housing:	Die-Cast Aluminium		
Front Material:	Clear Tempered Glass		
Installation Brackets:	Die-Cast Aluminium 6° Multi-positional, locking hinges		
Hardware:	Stainless Steel		
Gasket:	Silicon		
Surface Finish:	RAL 9005 Electrostatically polyester powder coat (standard) or Custom Any RAL (optional)		
Measurements:			
Weight:	0,800Kg (1,76lb)	1,8Kg (3,96lb)	1,8Kg (3,96lb)
Dimensions: (H x W x D)	141,5x89x107mm 5,5x3,5x4,2in	173x149x120,5mm 6,8x5,8x4,7in	173x149x120,5mm 6,8x5,8x4,7in
Environmental			
Storage Temperature:	-40°C - 85°C - (-40°F - 185°F)		
Start-up Temperature:	-25°C - 50°C - (-13°F - 122°F)		
Operating Temperature:	-40°C - 50°C - (-40°F - 122°F)		
Thermal Protection:	Automatic over temperature protection		
Cooling:	Cooling by free air convection		
Vibration Resistance:	Complies with ANSI C136.31-2010		
Corrosion Resistance:	Complies with ASTM B117 standard		
Ingress Protection Rating:	IP67		
Impact Resistance Rating:	IK08		
Humidity (max.):	0 to 98%, non-condensing		
Certification			
EU Safety:	EN 60598-1, EN 60598-2-5, EN 62471, EN 60529, EN 62262		
EU EMC:	EN 55015, EN 61000-3-2, EN 61000-3-3, EN 61547, EN 61000-4-2, EN 61000-4-3, EN 61000-4-4, EN 61000-4-5 EN 61000-4-6, EN 61000-4-8, EN 61000-4-11		
US Safety:	UL 1598		
US EMC:	FCC Part 15 Class A		
Warranty:	5-year Limited Warranty		

Procolor® SC Series

Fixture



P03001XX1 Procolor® AC 10 SC 90~264VAC Floodlight Narrow Beam 19°
P03001XX2 Procolor® AC SC Color 90~264VAC Floodlight Medium Beam 26°
P03001XX3 Procolor® AC SC Color 90~264VAC Floodlight Wide Beam 54°



P03003XX1 Procolor® AC 35 SC 90~264VAC Floodlight Narrow Beam 8°
P03003XX2 Procolor® AC 35 SC 90~264VAC Floodlight Medium Beam 30°
P03003XX3 Procolor® AC 35 SC 90~264VAC Floodlight Wide Beam 45°



P03004XX1 Procolor® AC 60 SC 90~264VAC Floodlight Narrow Beam 8°
P03004XX2 Procolor® AC 60 SC 90~264VAC Floodlight Medium Beam 30°
P03004XX3 Procolor® AC 60 SC 90~264VAC Floodlight Wide Beam 45°

Reference Name: Litore Resort Hotel
Location: Antalya / Turkey
Date: 2015

Litore Resort Hotel is a brilliant hotel where everything is planned exclusively for guests with a magnificent view of the Mediterranean. You start the day with a wonderful sunrise and end the day with a wonderful facade lighting by Hera Led. This project has become a rising star among all hospitality projects in Antalya.



Reference Name: Galeri Resort
Location: Antalya / Turkey
Date: 2013

You will feel yourself as if you are in a palace with our facade lighting application in this project. Balanced combination of colors and simple white, gives you a soul both joy and peace. You will feel presence of nature colors while resting your soul. This festival of light illuminates all visitors' days. We made it sparkle, you enjoy ...

GALERİ RESORT



Reference Name: Sui OZ Hotel
Location: Antalya / Turkey
Date: 2015

Oz Hotel Sui is paradise of your dreams. It intersects the unique blue and green of Alanya. The hotel's architecture has been committed to colors of nature by Hera Led facade lighting and aimed to be eye-catching project while emphasizing naturalness. This hotel has attracted the attention of all local and foreign tourists and impresses all who saw the project.





Reference Name: Side Premium Hotel
Location: Antalya / Turkey
Date: 2015

Side Premium Hotel is like a paradise between the blue and green nature of Side. Hera LED manufactured and fixed a complete line of building exterior lighting that switched hotel's business and works with a vital promotional effect. We made a notable landmark through illumination, and Side Premium gleams like a sparkling star in Antalya's spectacular night-scape.



HERA EĞLENCE VE MİMARİ AYDINLATMA SİSTEMLERİ A.Ş
Gullubaglar Mah. Kahramanlar Cad. No:3-1
34906 Pendik / İstanbul / Turkey
T. +90 216 307 79 00
F. +90 216 307 79 02

www.heraled.com info@heraled.com