

SWORD[®] 100x4 SERIES

User's Manual & Installation Guide

Index

V.1.4

- | | | | |
|---|---|----|--------------------------|
| 1 | Cover & Index | 6 | Connection Diagram |
| 2 | Safety Information
Warranty
Marking | 7 | Installation Instruction |
| 3 | Explanation
Details | 8 | Accessories |
| 4 | Block Diagram | 9 | Ordering Information |
| 5 | Block Diagram | 10 | Technical Drawing |
| | | 11 | Back Cover |

Congratulations on choosing a HERA product!
We thank you for your custom.

Please note that this product, as all the others in the rich HERA range, has been designed and made with total quality to ensure excellent performance and best meet your expectations and requirements. Carefully read this instruction manual in its entirety and keep it safe for future reference. It is essential to know the information and comply with the instructions given in this manual to ensure the fitting is installed, used and serviced correctly and safely. HERA disclaims all liability for damage to the fitting or to other property or persons deriving from installation, use and maintenance that have not been carried out in conformity with this instruction manual, which must always accompany the fitting. HERA reserves the right to modify the characteristics stated in this instruction manual at any time and without prior notice.

Safety Information

Caution – unplug the power supply from the main power before connecting any cables as this can damage the products.

Caution – avoid looking directly into the led light source at close range for your own safety.

Any people installing this product should comply with local standards and regulations and must be qualified for the handling of electrical equipment.

- Do not attempt to install or use the product until installation instructions and safety labels are fully understood.
This product is designed for indoor and outdoor usage.
- Ensure product operates within the specified temperature range.
- Do not attempt to open the product.
- Do not use the product if the power cables are damaged.
- Only use product for specified voltage.
- Always maintain connection to ensure waterproofing.
- If the product has been subjected to drastic temperature variances, for example, following transportation, do not connect the fixture until it has reached room temperature, as moisture condensation may cause electric shock and product damages.
- When installing the products and system power supplies, please ensure they will not be exposed to moisture and extreme heat (and direct sunlight for outdoor products). Besides, keep a clean operating environment for the fixtures and system power supplies.
- Please study this Installation Guide thoughly and check the latest Technical Specification Sheets available from the our website www.heraled.com before setup.
- Any non-compliance of the Installation Guide will void the Hera warranty.

Warranty

Hera warrants the products for a period of three (3) years from date of purchase, provided that the purchased items are used under the conditions stated in this user manual.

Marking



IP67



SWORD® 100x4 SERIES

Explanation

Sword® 100x4 Series consist of four models such as 30-50-100-150cm. 30cm 3 pixel 9 Channel, 50cm 5 Pixel 15 Channel, 100cm 10 Pixel 30 Channel, 150cm 15 Pixel 45 Channel. Pixel pitch is 100 mm. Each pixel consists of 4 led. It has options such as direct view or opaque cover with special polycarbonate alloy. It is in IP67 protection class. It offers customizable solutions pixel mapping with DMX 512 protocol. It can be addressed in batch with RDM Protocol. It has been designed to be used in the facade, building and stage illumination. It operates with 48V voltage and applicable without voltage loss. Product assembly apparatus is made from aluminum injection. It operates under challenging weather conditions. It has high vibration resistance. It is easily demountable. It can be connected with IP68 screwed type connectors.

- Flexible applicability with 30-50-100-150cm sizes
- Direct viewing or opaque cover with special polycarbonate alloy
- Addressing with Remote Device Management Protocol
- Perfect viewing without pixel gap or shade in the connection points
- Safe use in interior and external environment with IP67 protection

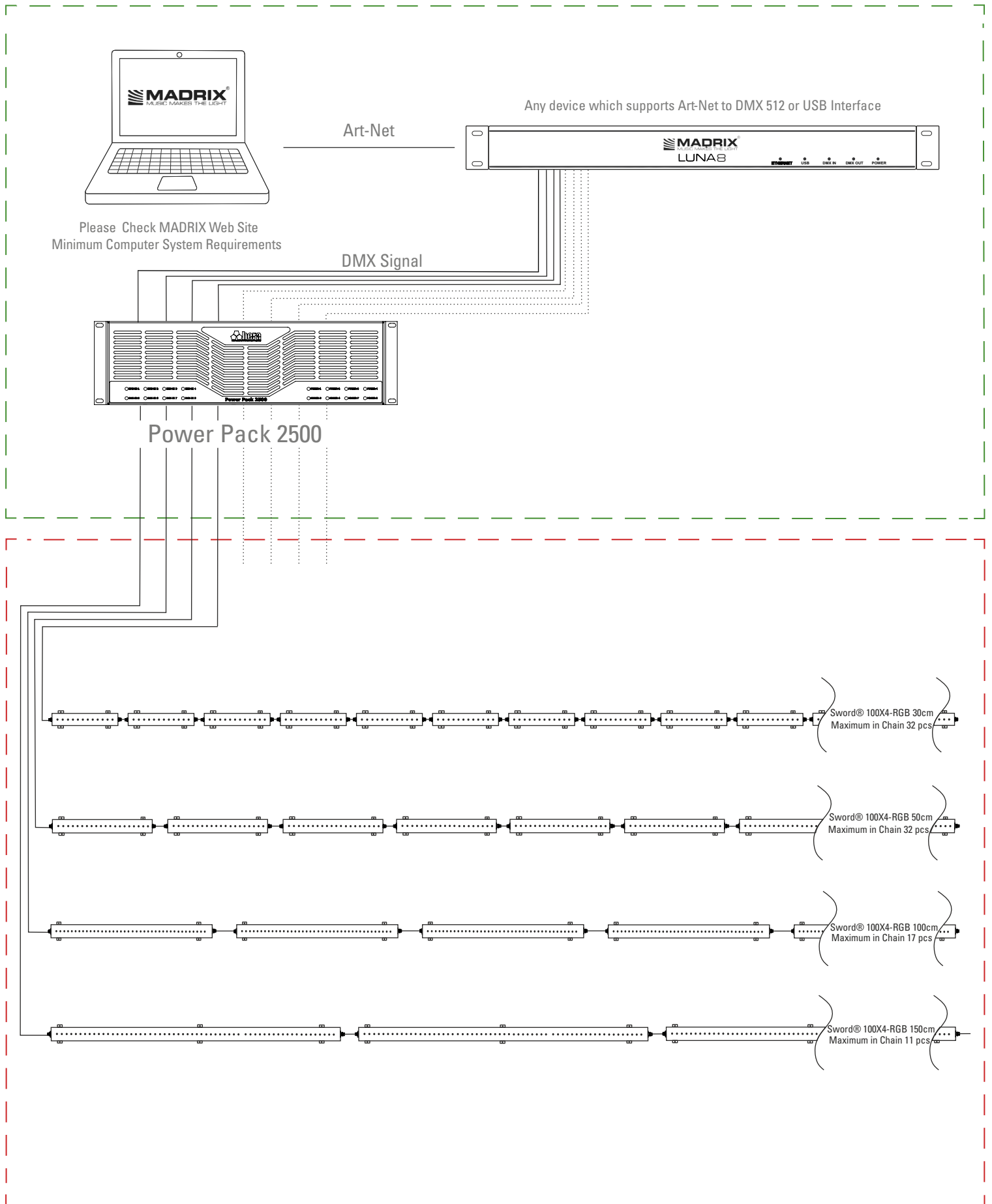
Details

Light Source	: 12/20/40/60 Pcs. Nichia NSSM032A
Lifetime	: 50.000 Hours
Input	: 48VDC 4-Pin IP67 Waterproof Connector (Power + DMX)
Current Consumption	: 85/125/230/335mA
Power Consumption	: 4/6/12/18 Watt
Pixel Pitch	: 100mm
Maximum in Chain	: 32/32/17/11 Pcs
Luminous Intensity	: Luminous intensity, calibrated mode: 30/50/100/150 cd Total output, calibrated mode: 90/150/300/450 lm Total output, calibrated mode: 996/1660/3320/4980 nits *Preliminary data, figures are approximate.
Control and Programming	: DMX 512
DMX Channels	: 9/15/30/45 Ch. 3/5/10/15 Pixel
DMX Address Settings	: RDM (Group of Remote Addressable Systems)
Housing	: Aluminium Extrusion Body
Screw and Mounting Accessories	: Die-Cast Aluminium Installation Equipment 304L Stainless Steel
Temperature	: Operating : -40°C - 50°C - (-40° - 122° F) Storage : -40°C - 85°C - (-40°C - 185° F)
Dimensions (H x W x D)	: 45x300x30 mm (1,77x12x1,1 in) 45x500x30 mm (1,77x19x1,1 in) 45x1000x30 mm (1,77x39x1,1 in) 45x1500x30 mm (1,77x59x1,1 in)
Weight	: 0,325kg (716 lb) / 0,530kg (1,16lb) / 1kg (2,2lb) / 1,5kg (3,3lb)
Certification	: EU safety: EN 60950-1, EN 60950-22 EU EMC: EN 55022, EN 55024, EN 61000-3-2, EN 61000-3-3 US safety: UL 60950-1, UL 60950-22 US EMC: FCC Part 15 Class A

SWORD® 100x4 SERIES

Block Diagram

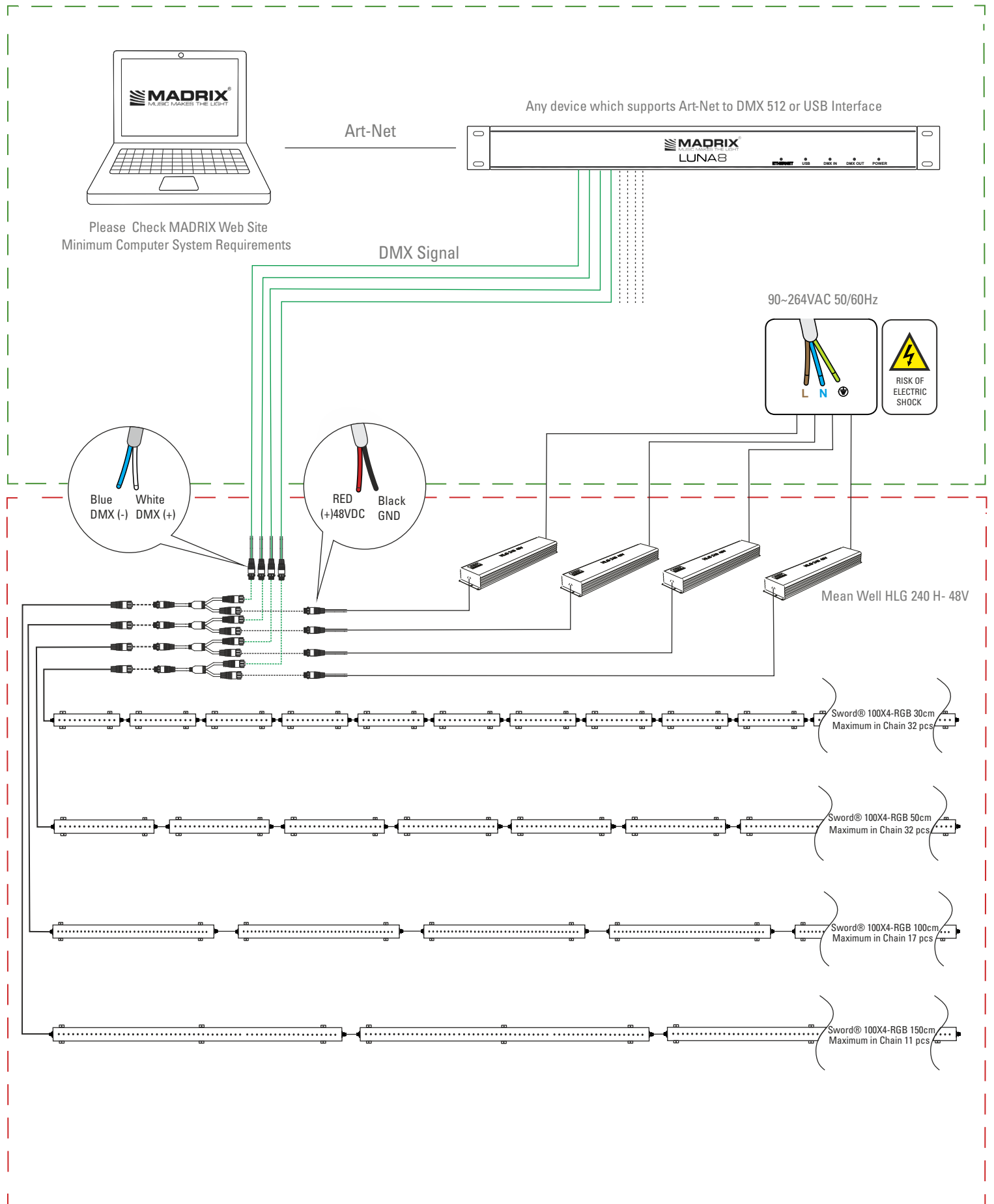
Indoor Zone



Outdoor Zone

Block Diagram

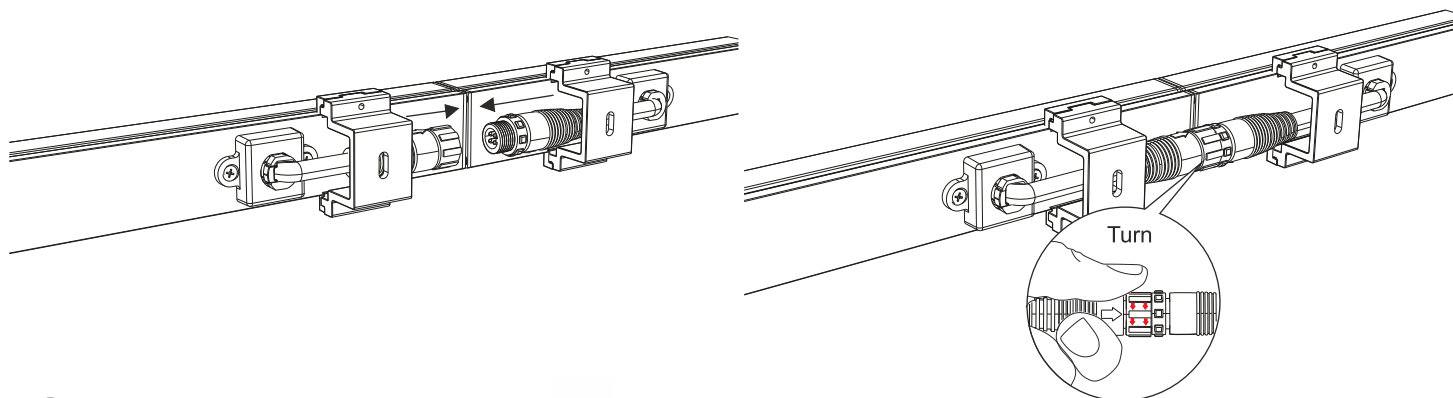
Indoor Zone



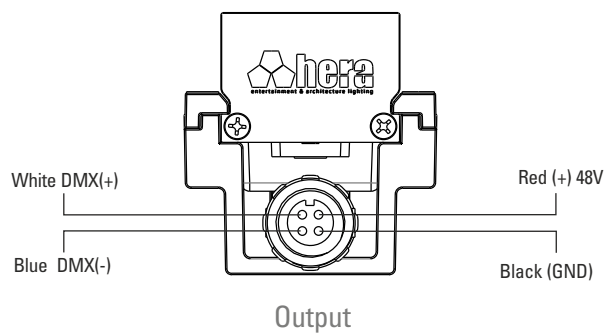
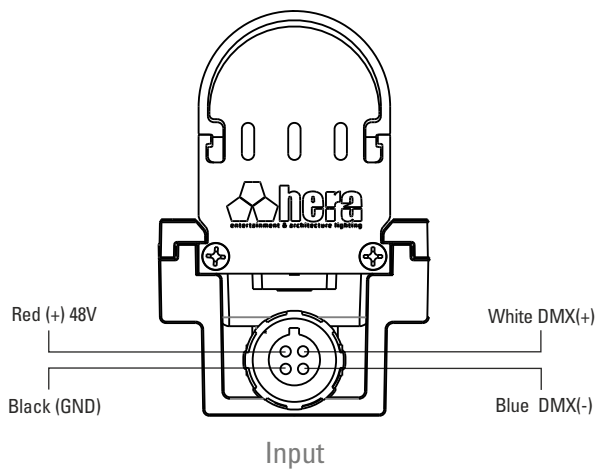
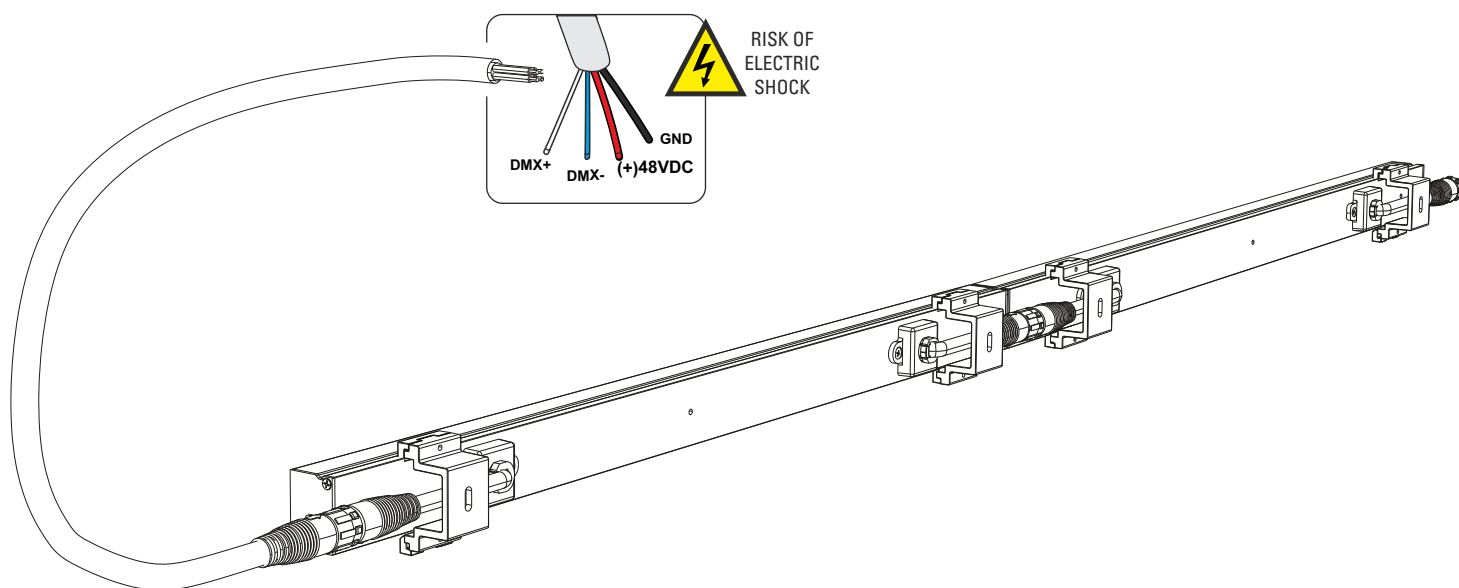
Outdoor Zone

Connection Diagram

- 1 Interlace the connectors and turn

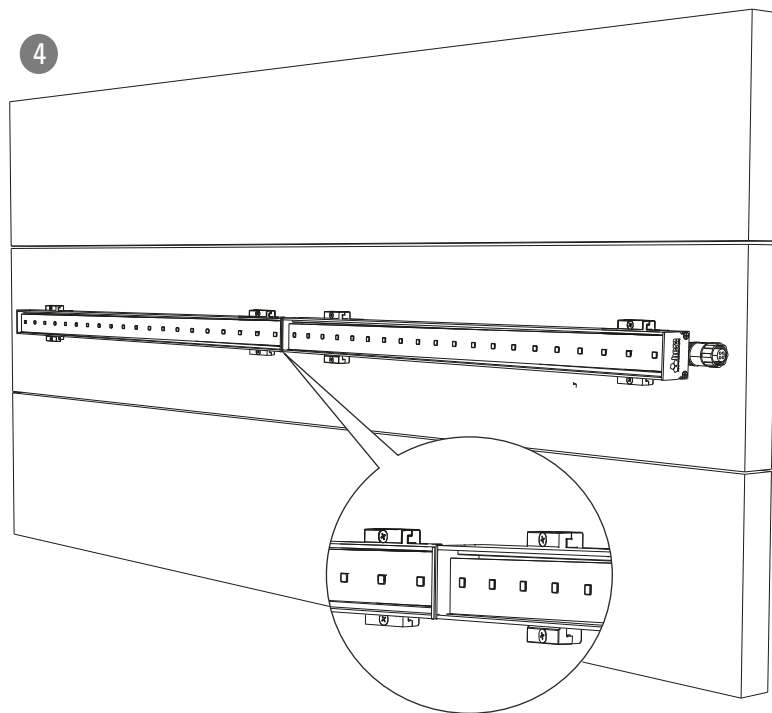
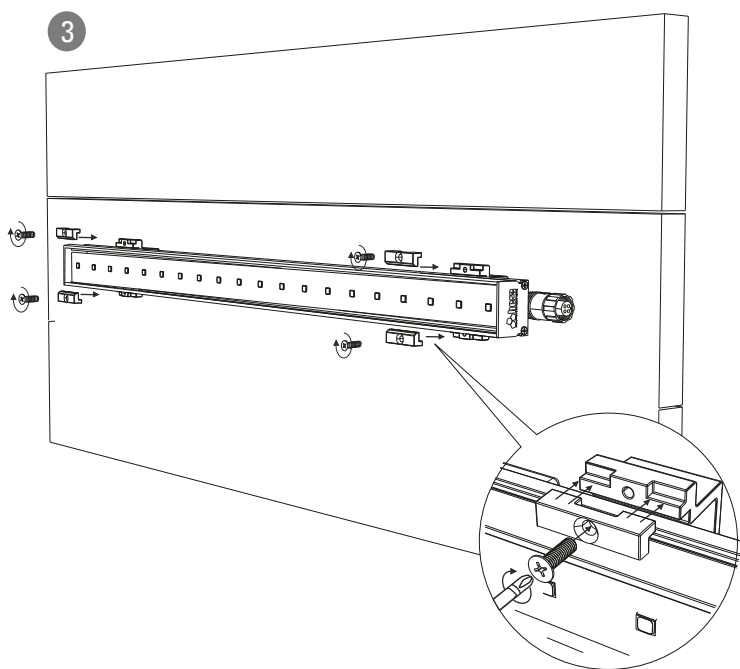
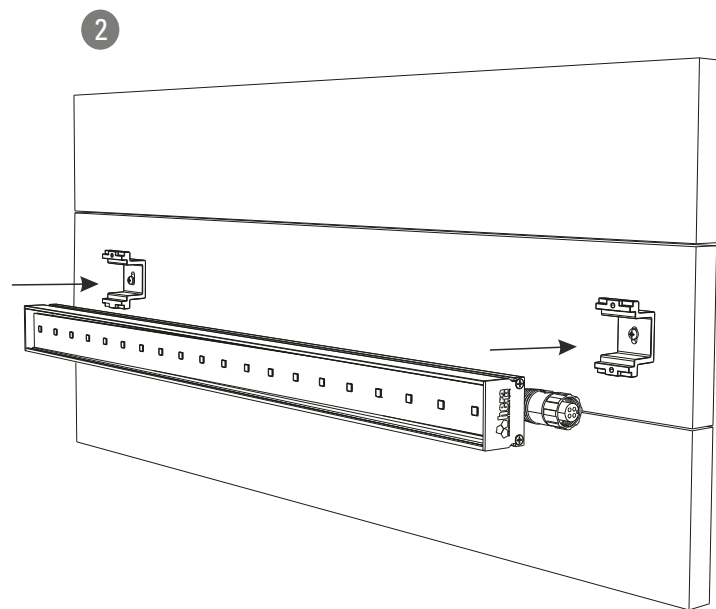
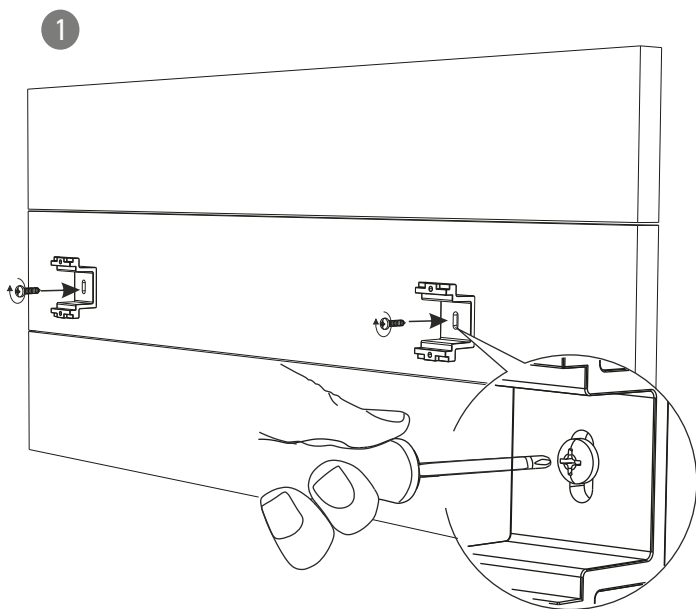


- 2 The correct type of connection as shown figure



Installation Instruction

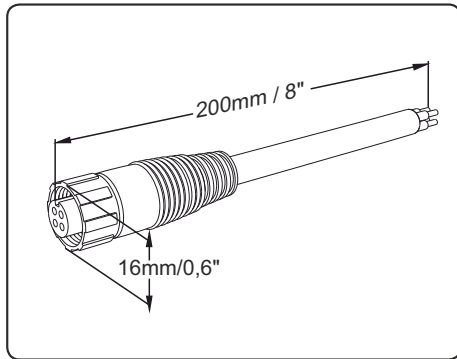
Step	Description
1	Connection apparatus to surface as shown at figure 1
2	Place luminaire in the connection apparatus as shown at figure 2
3	Screw connection apparatus as shown at figure 3
4	Finished installation as shown at figure 4



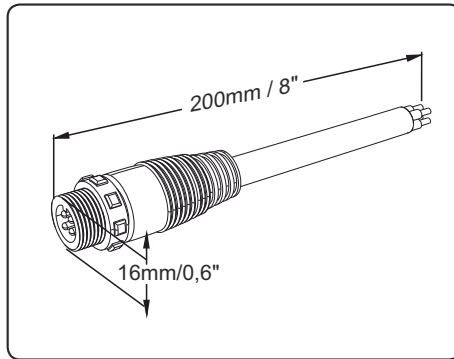
*Don't have to leave space

SWORD[®] 100x4 SERIES

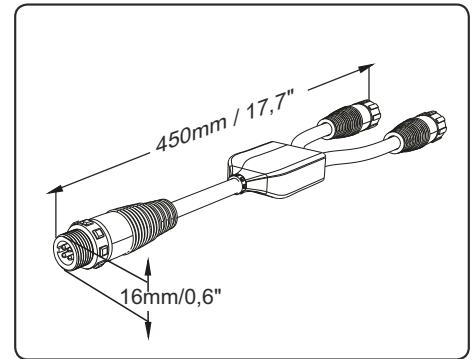
Accessories



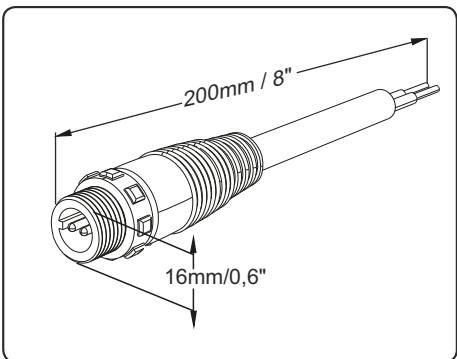
A01024
4 Pin Female IP67 Cable & Connectors
Optional



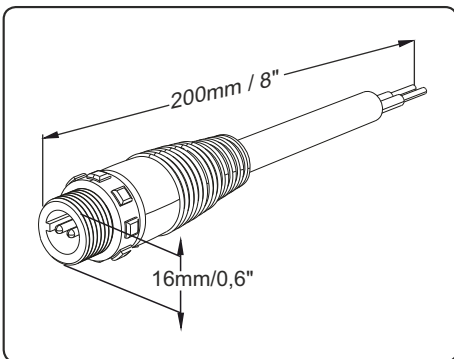
A01025
4 Pin Male IP67 Cable & Connector
Optional



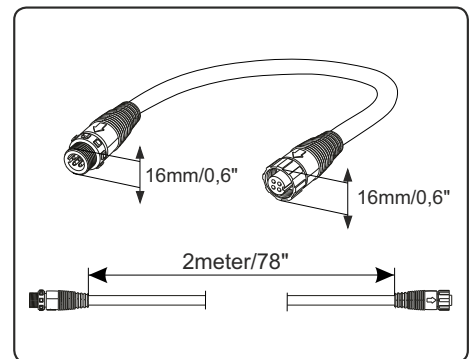
A01031
Injector Y Cable
Optional



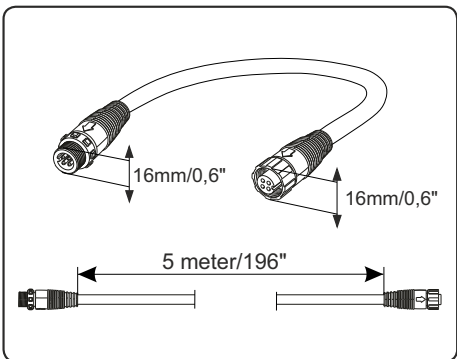
A01032
2 Pin Male IP67 Data Connector
Optional



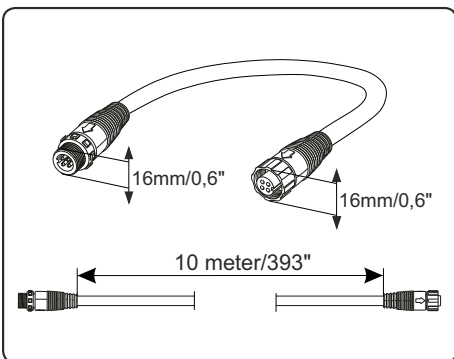
A01036
2 Pin Male IP67 Power Connector
Optional



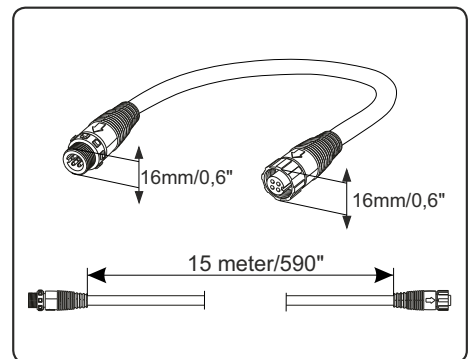
A01037
2meter Leader Jumper Cable
Optional



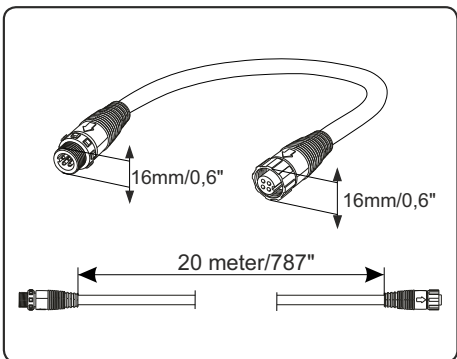
A01038
5 meter Leader Jumper Cable
Optional



A01039
10 meter Leader Jumper Cable
Optional



A01040
15 meter Leader Jumper Cable
Optional



A01041
20 meter Leader Jumper Cable
Optional

*Standart product codes that we provided is above. Please contact us for special orders.

SWORD® 100x4 SERIES

Ordering Information

Sword® 100x4-RGB 30cm Direct View 9Ch. 3 Pixel	P01086085
Sword® 100x4-RGB 50cm Direct View 15Ch. 5 Pixel	P01087085
Sword® 100x4-RGB 100cm Direct View 30Ch. 10 Pixel	P01088085
Sword® 100x4-RGB 150cm Direct View 45Ch. 15 Pixel	P01089085
Sword® 100x4-RGB 30cm Tube 9Ch. 3 Pixel	P01090085
Sword® 100x4-RGB 50cm Tube 15Ch. 5 Pixel	P01091085
Sword® 100x4-RGB 100cm Tube 30Ch. 10 Pixel	P01092085

Technical Drawing

